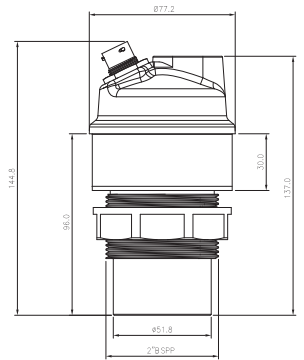


## SonicSens 3 Ultrasonic Level Sensor

The intrinsically-safe ultrasonic level sensor developed for use in multiple applications, including **CSO** and **sewer level monitoring**.

SonicSens 3 uses intelligent ultrasonic technology to monitor networks and **prevent surcharge** and **spill events**, ensuring cost-effective **compliance** and damage limitation.

When deployed to conduct Event Duration Monitoring at Combined Sewer Overflows (CSO), SonicSens 3 alerts to surcharges, **reporting event occurrence, time** and **duration**, and because it avoids contact with its environment there is little need for scheduled maintenance.



<b>Ultrasonic Measurement</b>	AutoRanging: 150mm - 1m 200mm - 3m 300mm - 6m 300mm - 10m  Resolution 1mm (1/25"). Built in temperature compensation  Accuracy in air: ±6mm, @ 1m ±6mm, @ 3m ±5mm, @ 6m ±9mm, @ 10m  Beam Angle: 10o at -3dB boundary Unwanted echo (obstruction) filtering
<b>Operating Temp.</b>	-20 to 60°C (-5 to 140°F)
<b>Rating</b>	ATEX/IEC certified to Zone 0
<b>Construction</b>	Potted PVDF plastic enclosure, IP68 submersible, stainless steel 316 brackets
<b>Power Management (Logger)</b>	>5 years battery life at 15 minute sample rate, Accelerated sampling on alarm available and alarm triggered
<b>Dimensions</b>	H = 145mm, D = 78mm (5.7" x 3.1")
<b>Weight</b>	700g

### IS Log ATEX Certified Data Logger

SonicSens 3 is powered by our intrinsically safe, highly versatile IS Log data logger. IP68 rated, with a typical five-year battery life, IS Log dependably delivers data through advanced cellular telemetry.



## Key Features and Benefits

**Easy to install:** with multiple pre-set options in software, including automatic level/flow conversion

**Unwanted echo filter:** can remove noises caused by objects such as ladder rungs

**Intrinsically safe:** ATEX certified for use in Zone 0 hazardous areas

**Contactless:** avoids contact with sewer environment, reducing contamination and lowering maintenance costs

**Compatibility:** SonicSens 3 is compatible with a variety of HWM Global data loggers

**Power options:** sensor powered by logger with external battery pack available to extend system life and support more frequent call-in

